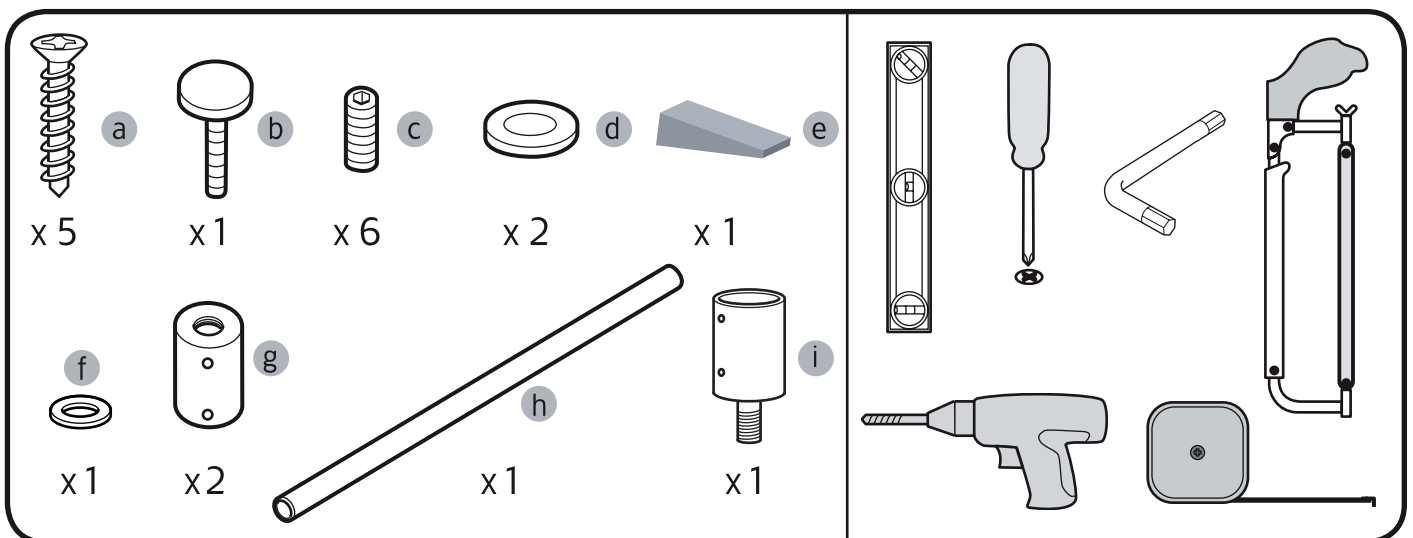
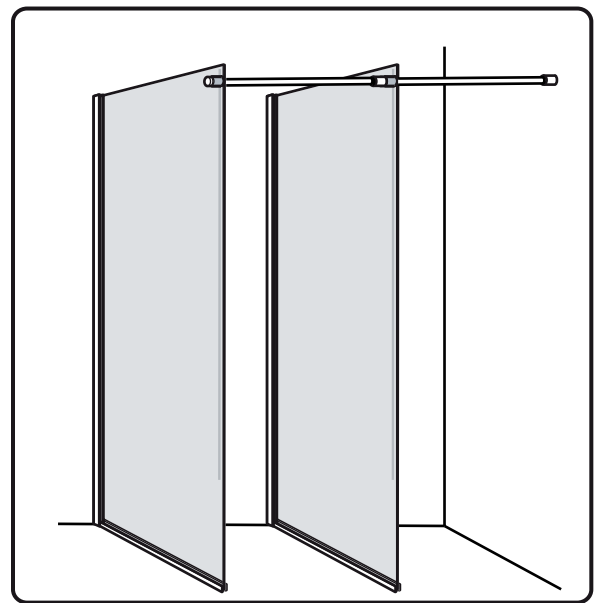
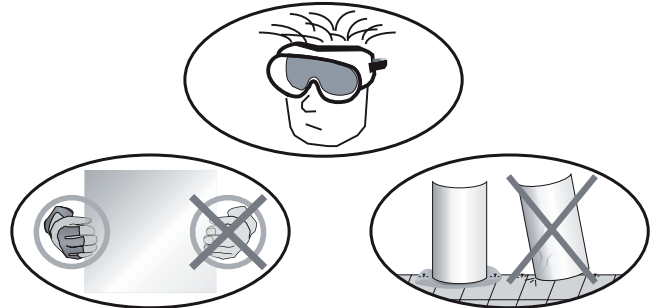
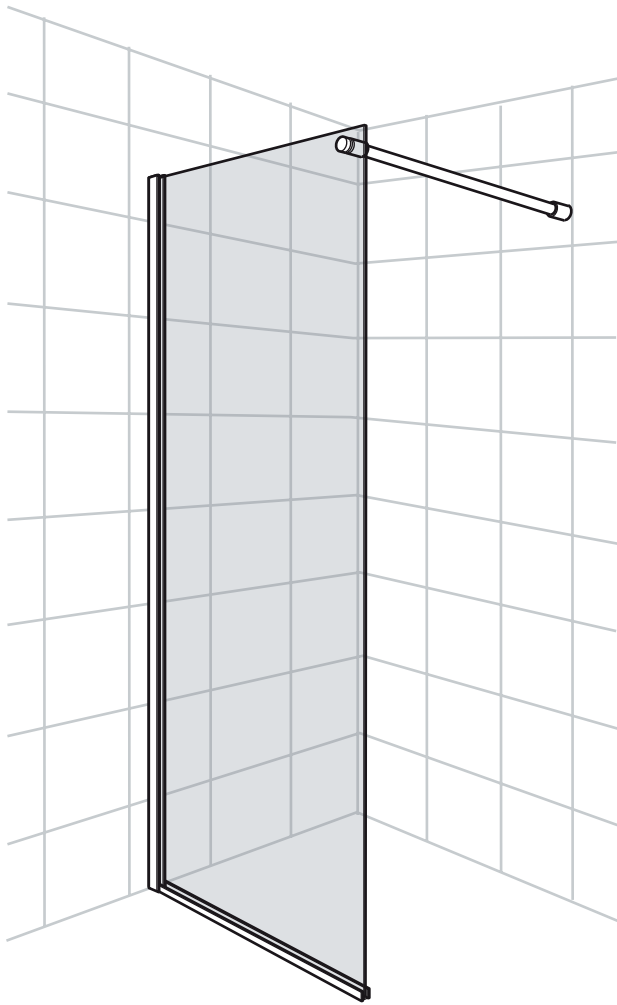


Hafa®

Duschvägg Cristal DV



Hafa®

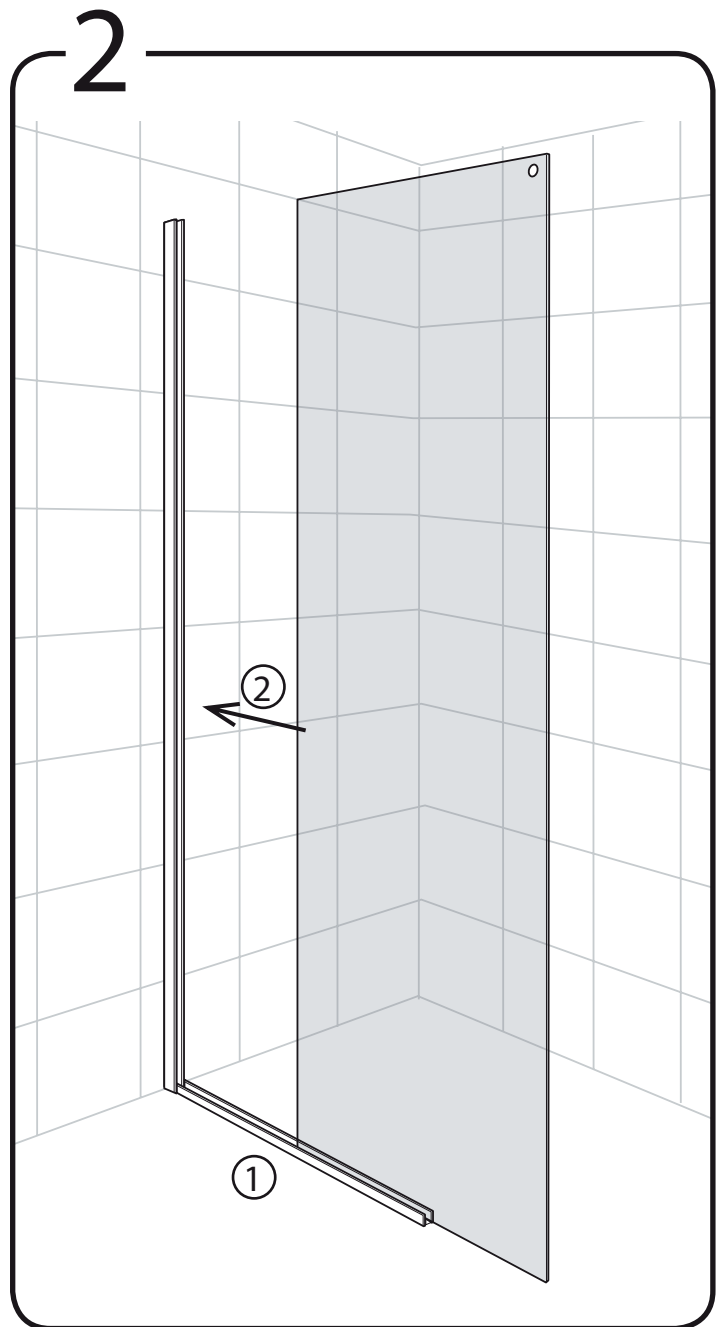
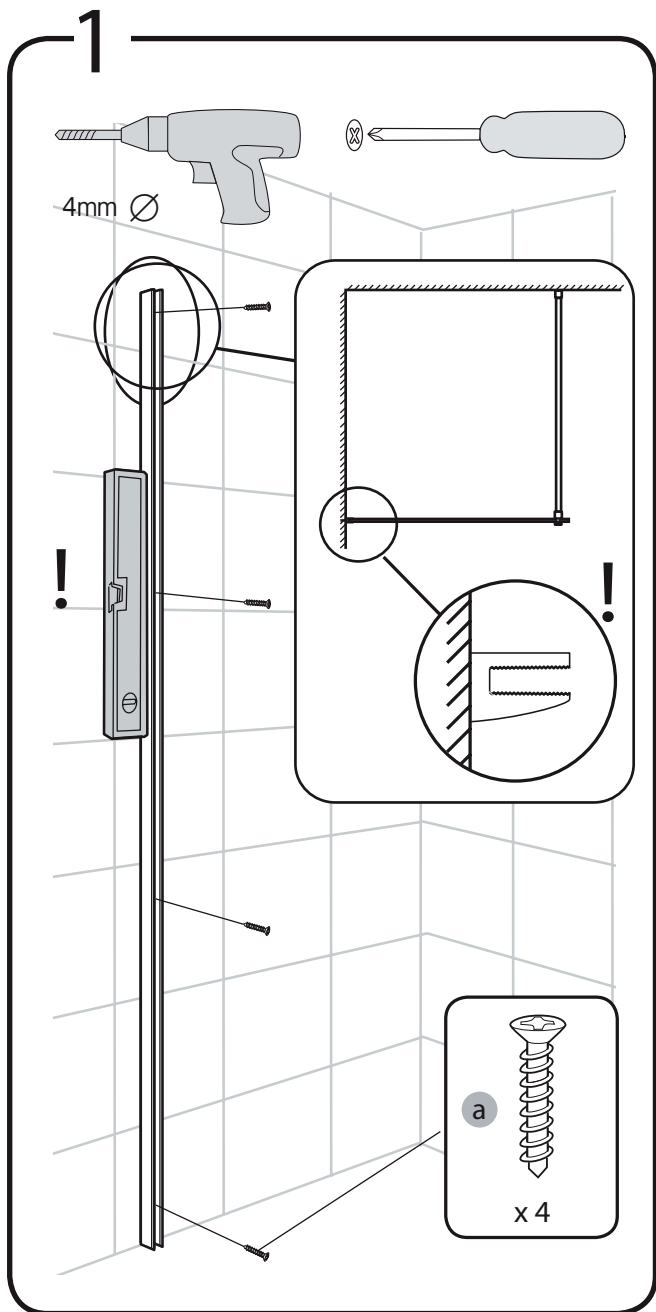
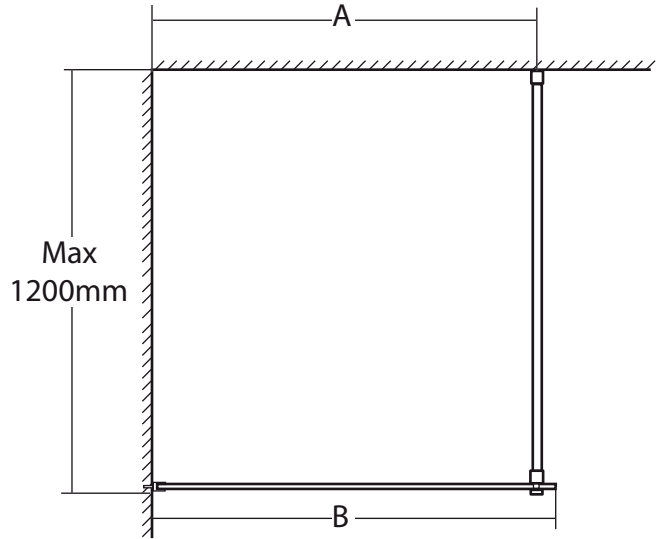
Hafa
Svarvaregatan 5, Box 525
SE-301 80 Halmstad
SWEDEN

www.hafa.se
www.hafa.dk
www.hafabad.no
www.hafa.fi
www.hafabathroom.ru

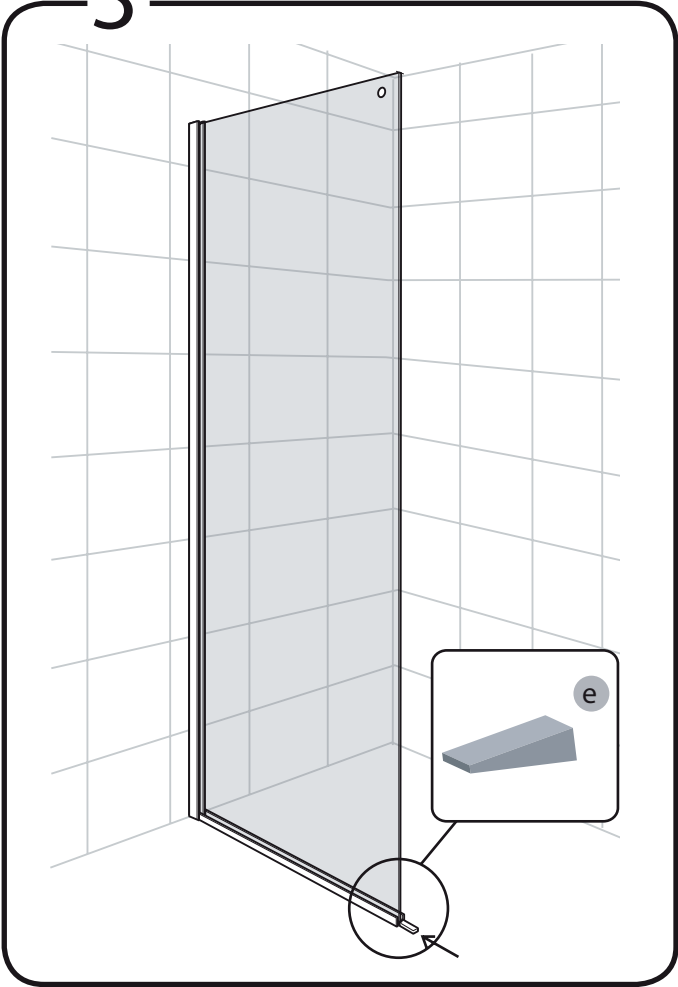
E-mail:
service@hafa.se

5 years
warranty

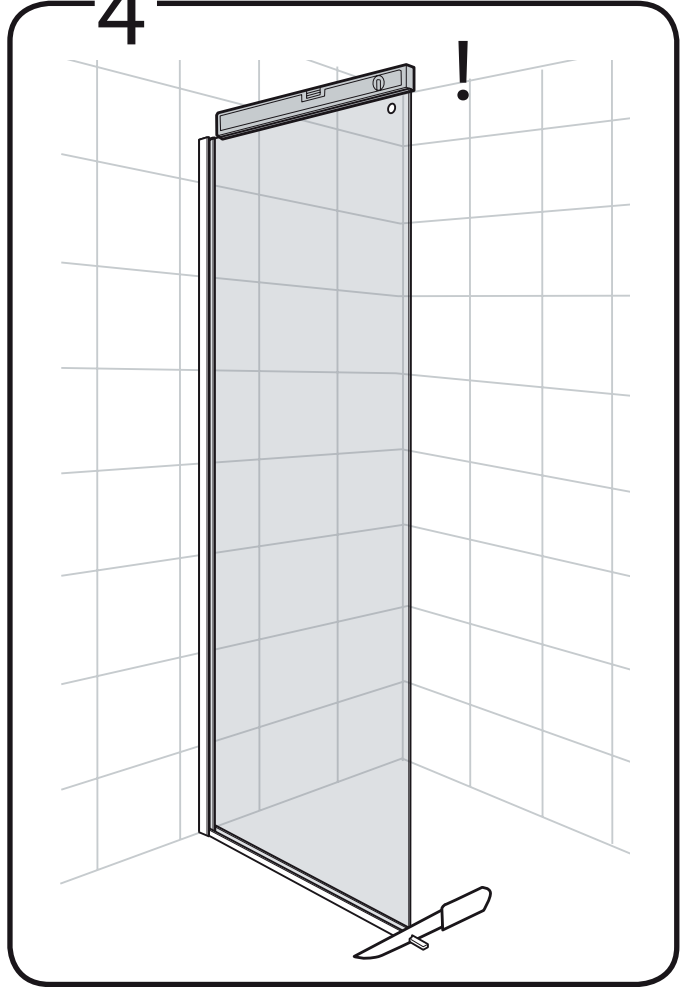
	A	B
70	656	700
80	756	800
90	856	900



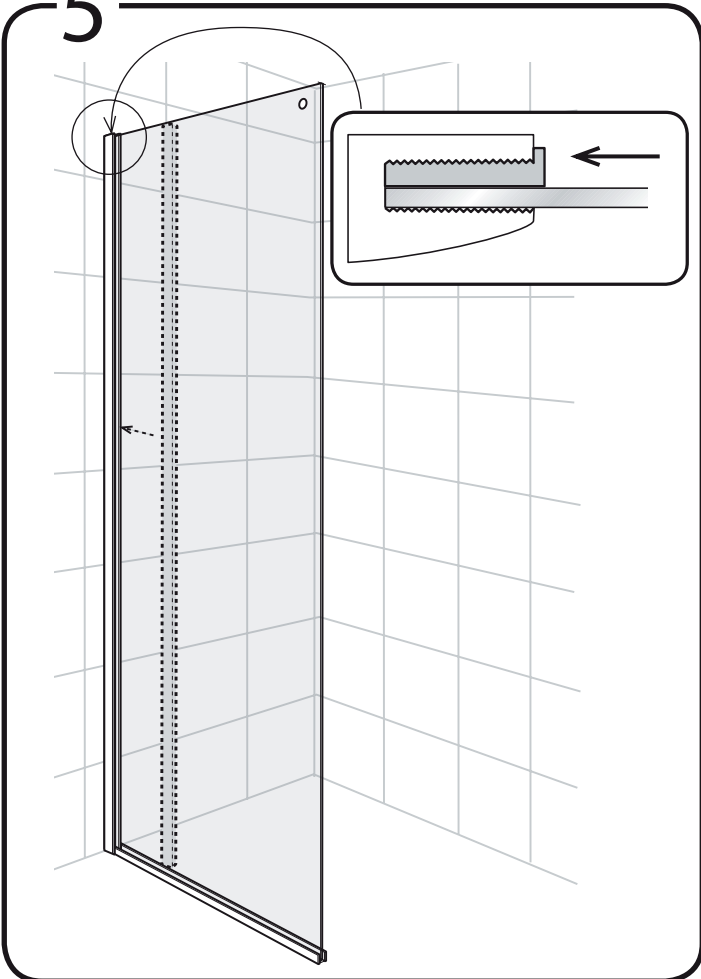
3



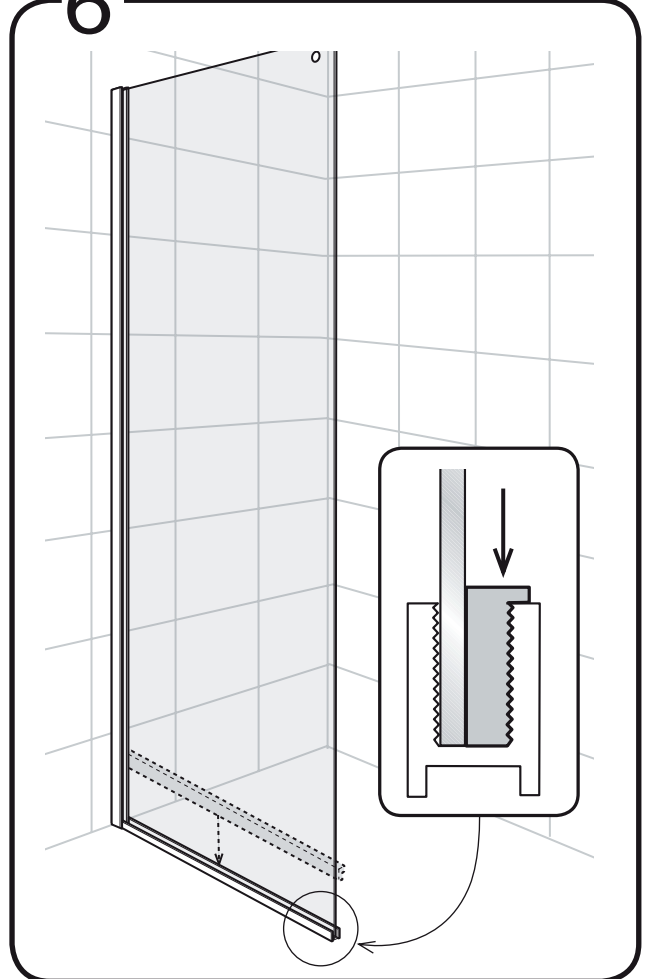
4



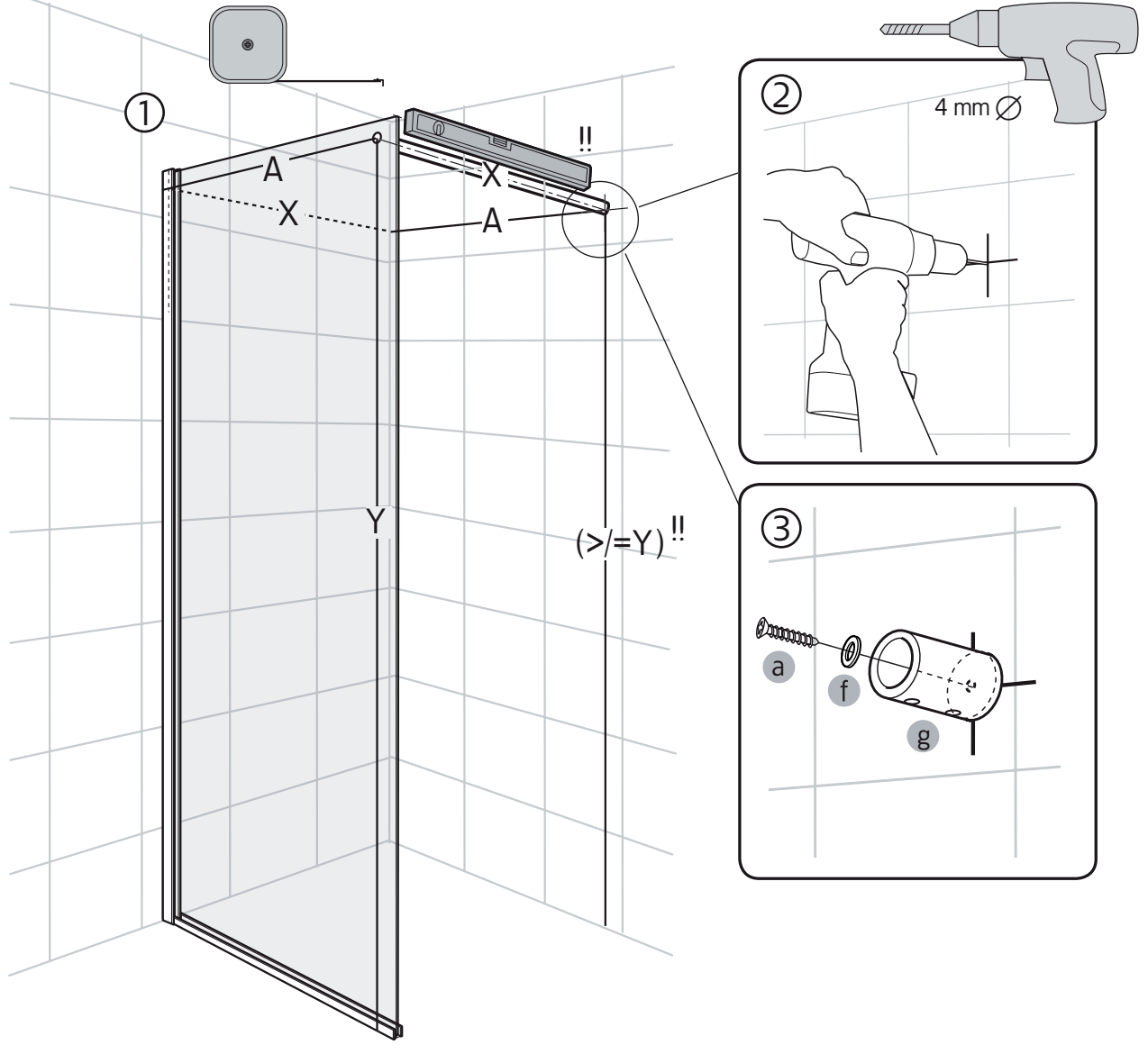
5



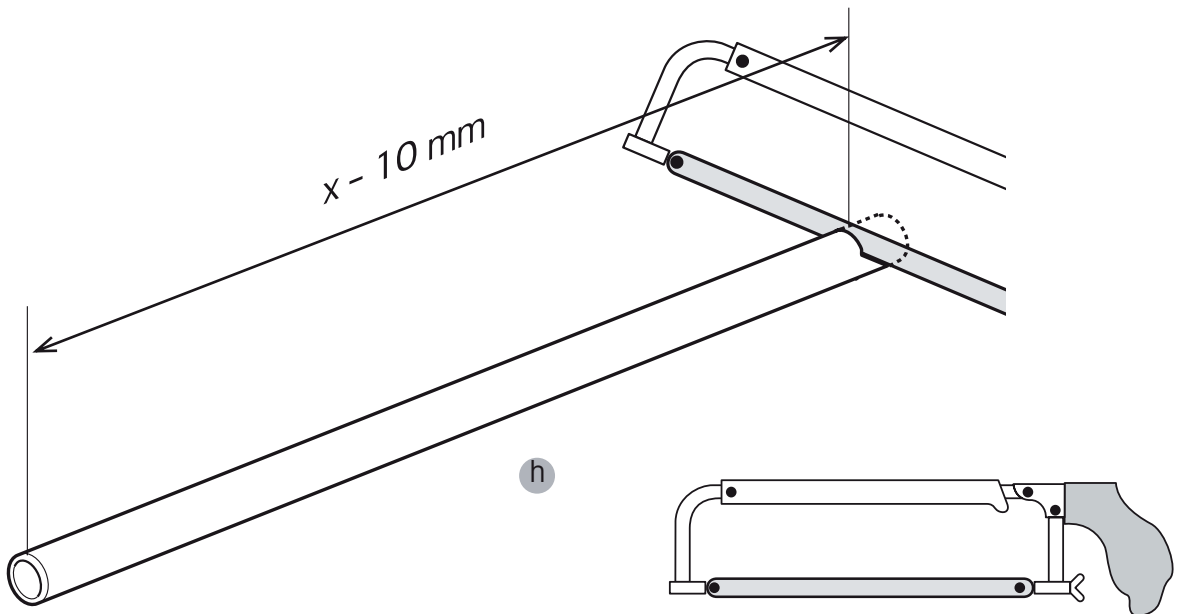
6



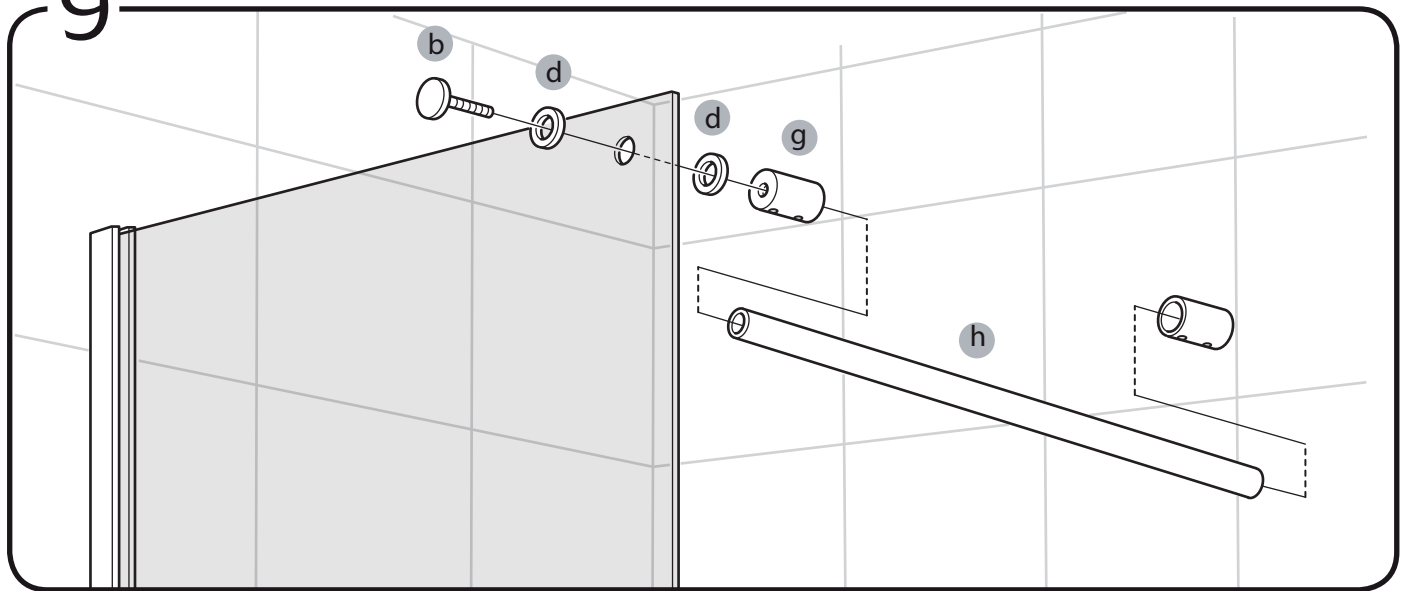
7



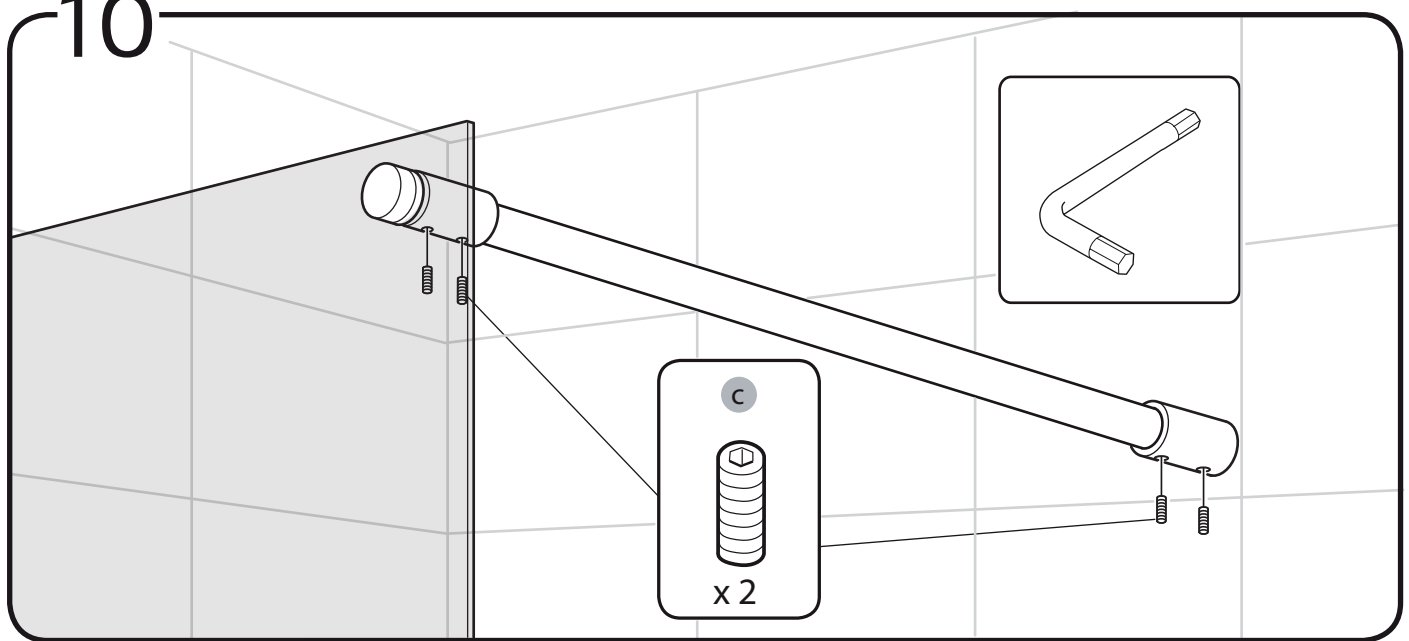
8



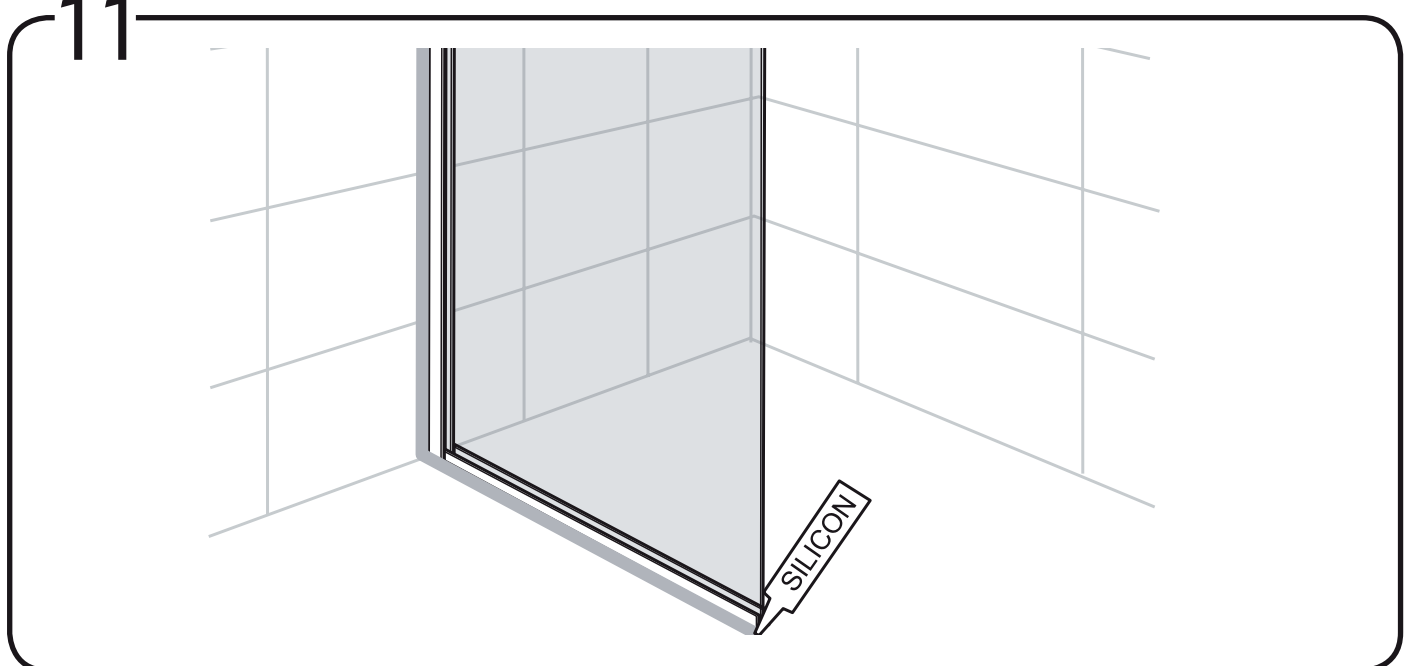
9



10



11



To connect more Duschvägg Cristal ST in same size, repeat Step 1-6, and do following:

